

STABIFIX®

STABIFIX® AR



(1) Natural frequency:
7 to 12 Hz



DESCRIPTION

The STABIFIX and STABIFIX AR (anti-rebound) are made of a rubber ring bonded to two metal shelves. The anti-rebound function is integrated with the STABIFIX AR version.

- Upper part with a smooth or a threaded hole (depending on version).
- Diamond base (2 holes) or square base (4 holes) for the lower fixing (2 holes).
- Natural rubber bonded.

OPERATION

The design of STABIFIX gives the following basic characteristics:

- Axial elasticity greater than radial elasticity.
- The rubber works in compression/shear.
- Progressive buffer against shocks or accidental overload.

Advantages:

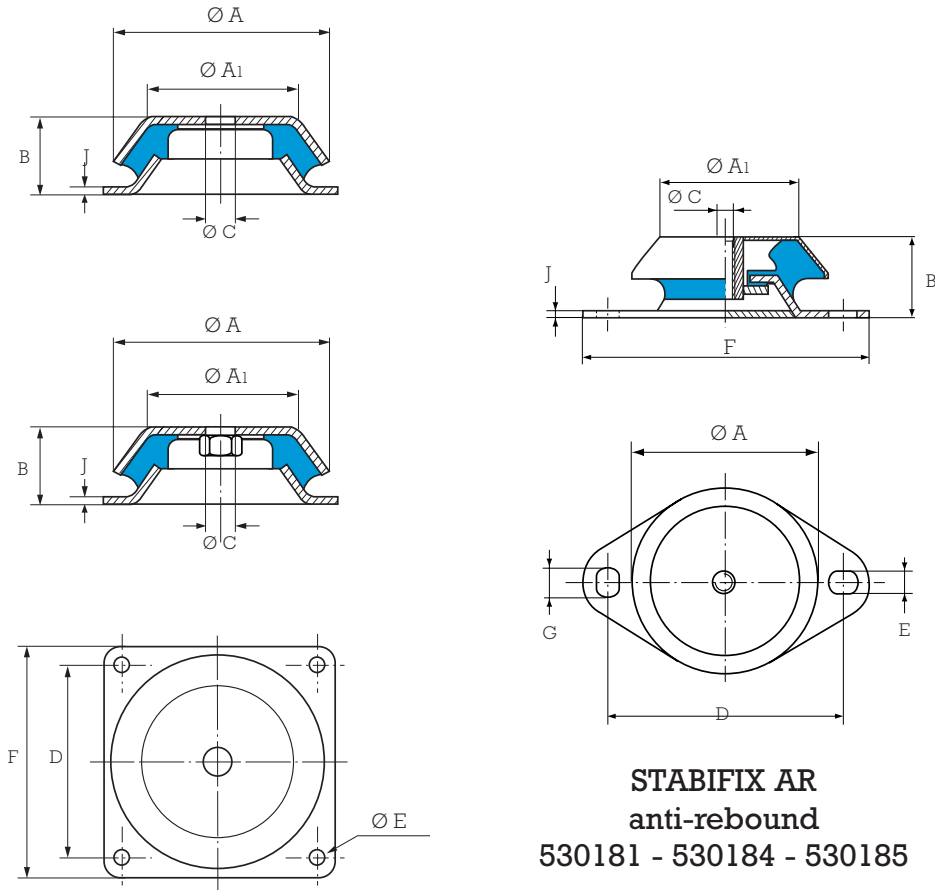
- Speed of fixing.
- Easy movement of suspended machinery.
- Rubber protected against harmful fluids.
- Extensive range: 3 hardnesses of rubber allow the mounting to be optimised as a function of the load and input frequency.

Recommendations:

- In order not to affect the performances of the mounting system, all external connections must be flexible.
- STABIFIX and STABIFIX AR (anti-rebound) mountings must be fitted so that the vibration input is in the axial direction.

(1) Natural frequencies with max/min loads, see: OPERATING CHARACTERISTICS.

DIMENSIONS



Type	Reference	Hardness	Ø A mm	Ø A1 mm	B mm	Ø C	D mm	E mm	F mm	J mm	G mm
Diamond base	530181	45.60	82	60	35	M10	110	11	135	3	15
	530184	45.60	110	87	42	M16	144	14	175	3	15
	530185	45.60	101	81	38	M16	144	14	175	3	15
Square base	530170	70	170	118	63	24.5	150	13	184	4	
	530175	70	170	118	63	M20	150	13	184	4	

See current price list for availability of items.

OPERATING CHARACTERISTICS

Nominal static load daN	Deflection mm	Reference	Hardness
30 - 75	7	530181	45
70 - 160	6.5	530181	60
110 - 220	7.5	530184	45
130 - 270	4.5	530185	45
180 - 380	7.5	530184	60
230 - 480	4	530185	60
1000 - 2000	5	530170	70
1000 - 2000	5	530175	70

1 kg ≈ 1 daN

All our mountings are identified by conventional marking indicating the hardness.